

# Bicycle and Pedestrian Counts

## Instructions

Thank you for participating in our bicycle and pedestrian counting program! Your efforts help to document how many people are walking and bicycling in our community. This information is useful for planning and other tasks to create a safer and healthier transportation system.

Before going to your count site, please do the following:

- Review these instructions and familiarize yourself with the count form.
- Print out the **two copies** of the appropriate (4-way or blank) count forms.
- Double-check your assigned count site, day, and hours.
  - **AM:** count 7–8am & 8–9am.
  - **PM:** count 4–5pm & 5–6pm.
- Figure out how you will get to your count site and where you will sit.
- Check the weather and come prepared to be outside for a couple of hours.

### Things to bring:

#### **Required**

- These instructions (and examples)
- Two copies of the count form (one for each hour)
- Clipboard or hard writing surface
- Pen or pencil (and a spare)

#### *Optional*

- Appropriate clothing
- Water and snacks
- Folding chair
- A friend to help you (or keep you company)

### Detailed instructions:

1. **Arrive at your count site 15 minutes before your assigned start time.** Find a safe location where you can see all approaches. Don't block sidewalks, lanes, or driveways.
2. **Fill in the general information on each count form** (location, date, hour, weather, and name). Draw the north arrow. Write the street names on the diagram.
  - a. If necessary, draw the intersection diagram and turning movement arrows.
3. During each hour of your assigned count period, do the following:
  - a. **Count each person bicycling** using a tick mark on the diagram next to the arrow corresponding to their movement through the site.
    - i. Count each person on (or being pulled by) any kind of bicycle.
  - b. **Count each person walking** using a tick mark next to the "Walking" section on the side of the diagram.
    - i. Count each person walking, jogging, or running (or in a stroller).
    - ii. Count each person once, whether they cross multiple streets or turn the corner without crossing a street.
  - c. **Count each person not walking or bicycling** using a tick mark next to the "Skateboarding" or "Other" sections on the side of the diagram.
    - i. Count each person on a skateboard, on roller skates, in a wheelchair, etc.
  - d. If a person you already counted returns to your site, count them again.
4. At the end of your count period, **tally and total your counts.** Add up the number of tick marks of people bicycling for each movement, and write this total next to each arrow. Add up the total number of tick marks of people bicycling, walking, skateboarding, and other, and **write these totals in the boxes at the bottom of each hour's count form.**
5. **Return your completed count forms to the counting program manager.**

Thank you!

This page is intentionally left blank.

# Example!

## Bicycle and Pedestrian Count Form

1st Hour

Location: Center St & Main St, City, State  
Streets at intersection or path name, City, State

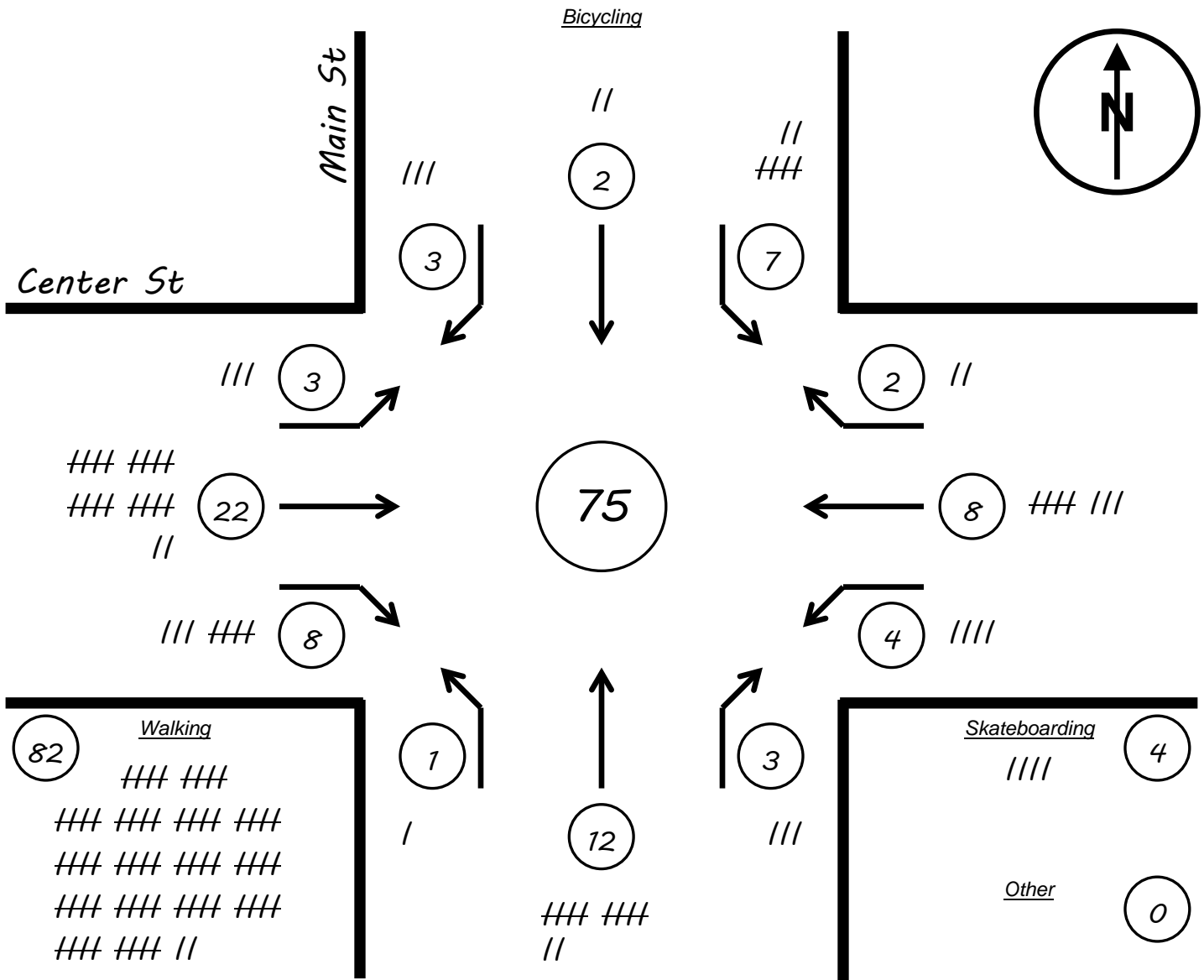
Date: Tue, 05/22/2018  
Weekday, Month/Day/Year

Hour: 7:00 - 8:00am  
Start time to End time

Weather: Partly cloudy, 56°F  
Weather (sunny, cloudy, rainy, etc.), Temperature

Name: Joan Doe  
Your name

Notes: \_\_\_\_\_



Count totals:

Walking	Bicycling	Skateboarding	Other
82	75	4	0

# Example!

## Bicycle and Pedestrian Count Form

2nd Hour

Location: Oak Ave & Park St & Trail, City, State  
Streets at intersection or path name, City, State

Date: Wed, 05/23/2018  
Weekday, Month/Day/Year

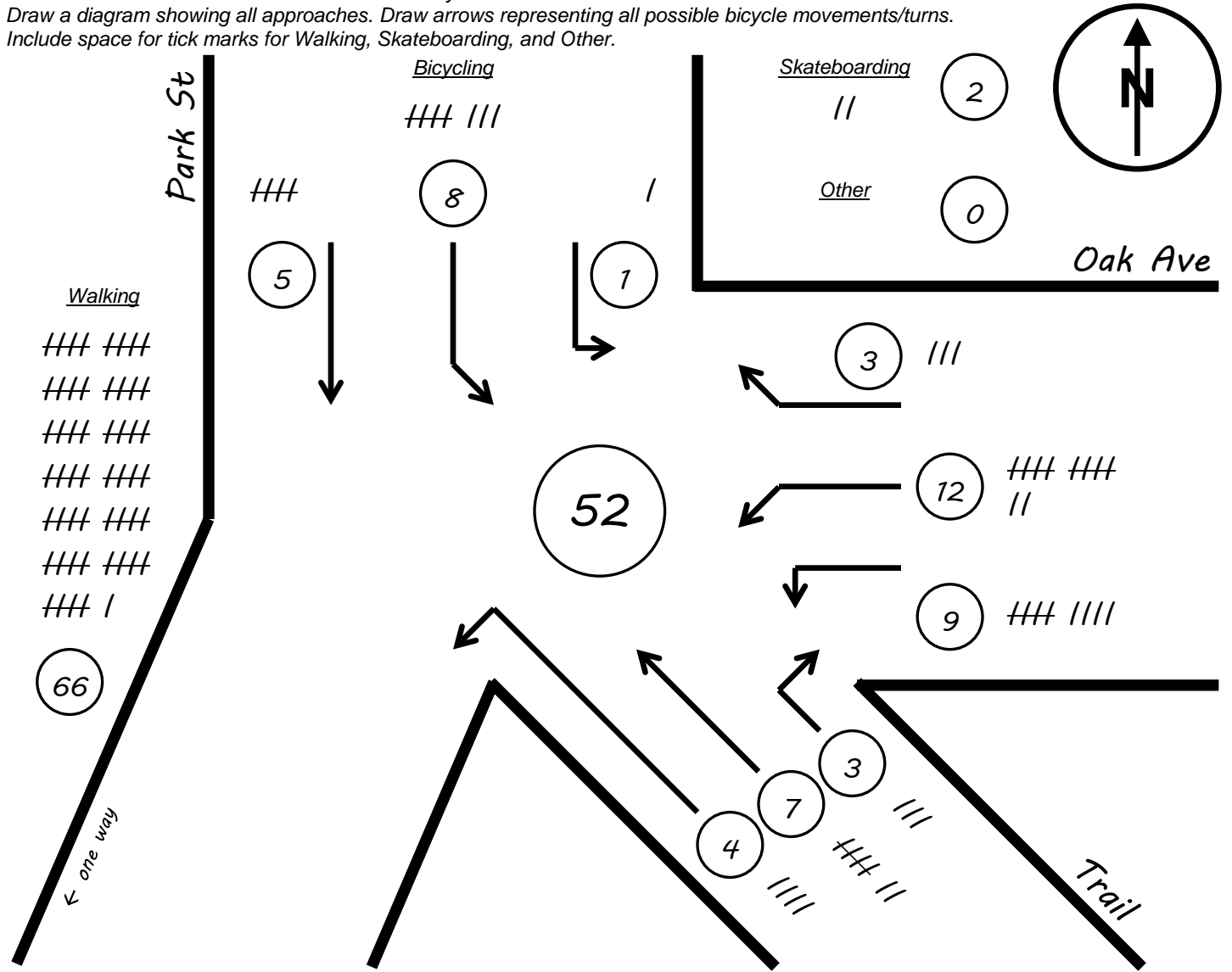
Hour: 5:00 - 6:00pm  
Start time to End time

Weather: Sunny, 73°F  
Weather (sunny, cloudy, rainy, etc.), Temperature

Name: Joan Doe  
Your name

Notes: \_\_\_\_\_

*Use this form for sites that are not standard 4-way intersections.  
 Draw a diagram showing all approaches. Draw arrows representing all possible bicycle movements/turns.  
 Include space for tick marks for Walking, Skateboarding, and Other.*



*Total number of people:*

Walking	Bicycling	Skateboarding	Other
66	52	2	0

Count totals:

# Bicycle and Pedestrian Count Form

1st Hour

Location: \_\_\_\_\_  
Streets at intersection or path name, City, State

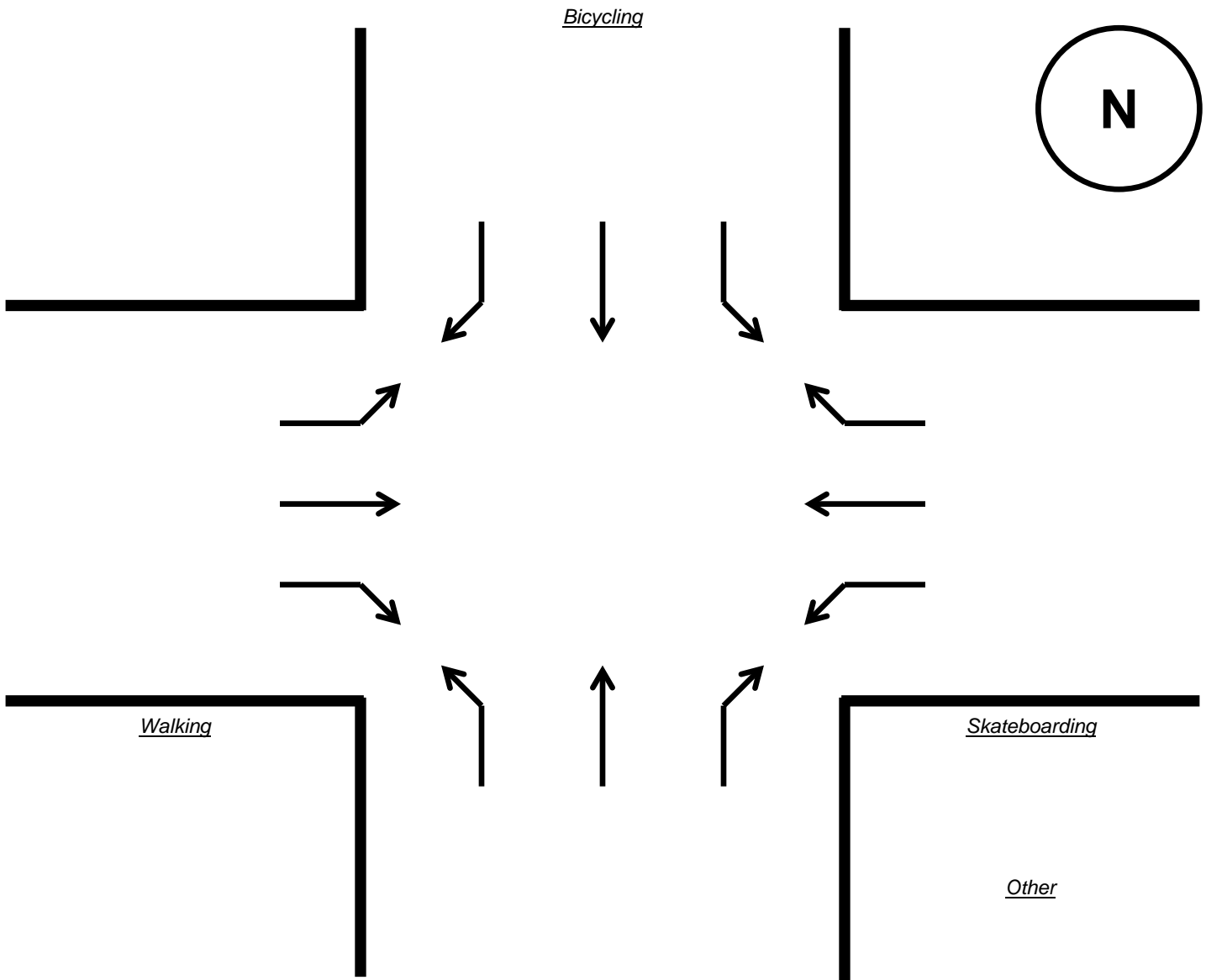
Date: \_\_\_\_\_  
Weekday, Month/Day/Year

Hour: \_\_\_\_\_  
Start time to End time

Weather: \_\_\_\_\_  
Weather (sunny, cloudy, rainy, etc.), Temperature

Name: \_\_\_\_\_  
Your name

Notes: \_\_\_\_\_



Total number of people:

Walking	Bicycling	Skateboarding	Other

Count totals:

# Bicycle and Pedestrian Count Form

2nd Hour

Location: \_\_\_\_\_  
Streets at intersection or path name, City, State

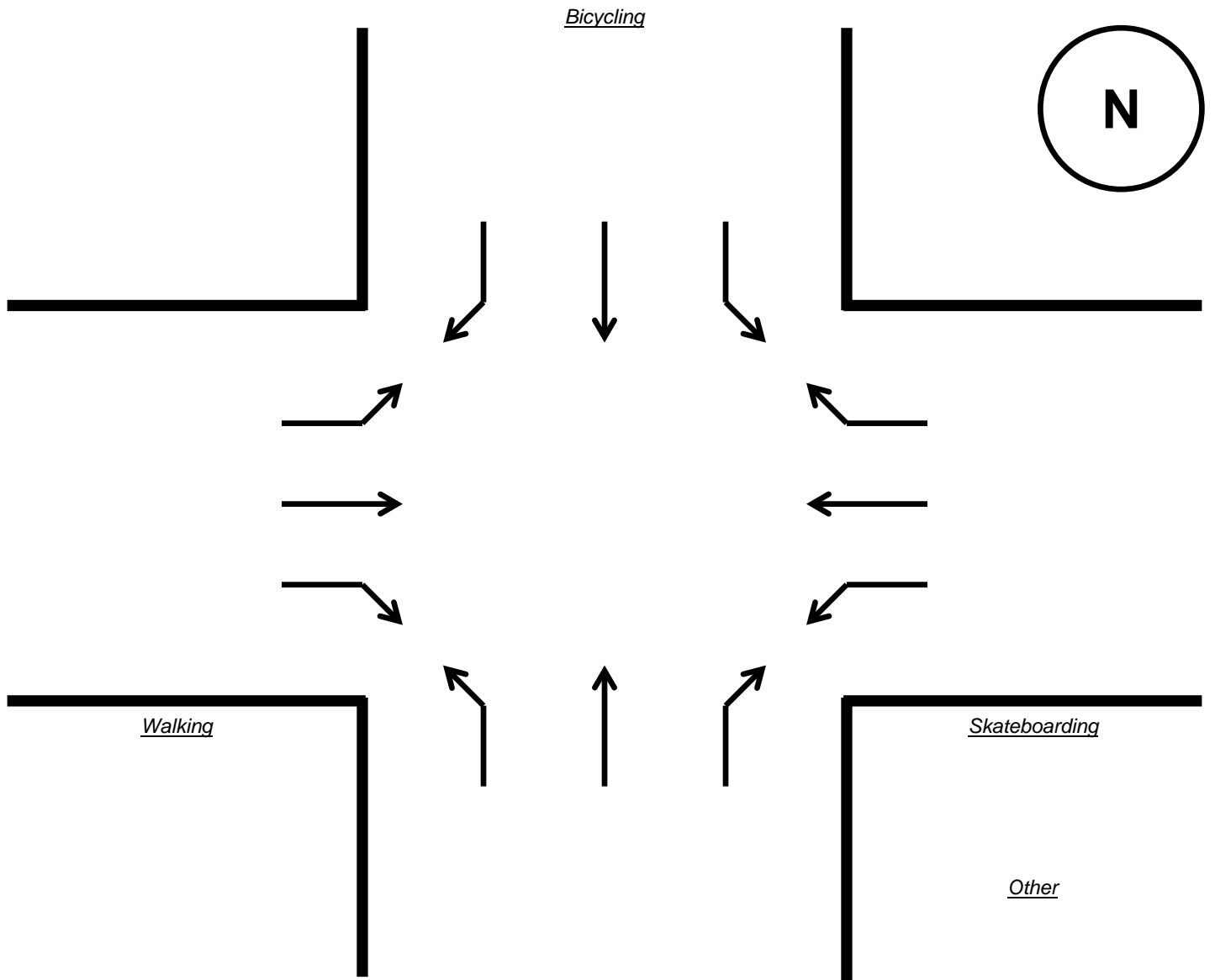
Date: \_\_\_\_\_  
Weekday, Month/Day/Year

Hour: \_\_\_\_\_  
Start time to End time

Weather: \_\_\_\_\_  
Weather (sunny, cloudy, rainy, etc.), Temperature

Name: \_\_\_\_\_  
Your name

Notes: \_\_\_\_\_



Total number of people:

Walking	Bicycling	Skateboarding	Other

Count totals:

# Bicycle and Pedestrian Count Form

1st Hour

Location: \_\_\_\_\_  
*Streets at intersection or path name, City, State*

Date: \_\_\_\_\_  
*Weekday, Month/Day/Year*

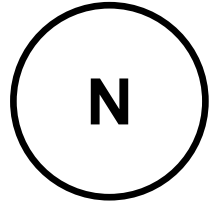
Hour: \_\_\_\_\_  
*Start time to End time*

Weather: \_\_\_\_\_  
*Weather (sunny, cloudy, rainy, etc.), Temperature*

Name: \_\_\_\_\_  
*Your name*

Notes: \_\_\_\_\_

*Use this form for sites that are not standard 4-way intersections.  
Draw a diagram showing all approaches. Draw arrows representing all possible bicycle movements/turns.  
Include space for tick marks for Walking, Skateboarding, and Other.*



Count totals:

*Total number of people:*

Walking	Bicycling	Skateboarding	Other

# Bicycle and Pedestrian Count Form

2nd Hour

Location: \_\_\_\_\_  
*Streets at intersection or path name, City, State*

Date: \_\_\_\_\_  
*Weekday, Month/Day/Year*

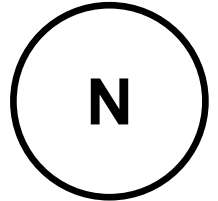
Hour: \_\_\_\_\_  
*Start time to End time*

Weather: \_\_\_\_\_  
*Weather (sunny, cloudy, rainy, etc.), Temperature*

Name: \_\_\_\_\_  
*Your name*

Notes: \_\_\_\_\_

*Use this form for sites that are not standard 4-way intersections.  
Draw a diagram showing all approaches. Draw arrows representing all possible bicycle movements/turns.  
Include space for tick marks for Walking, Skateboarding, and Other.*



Count totals:

*Total number of people:*

Walking	Bicycling	Skateboarding	Other