



1000 WEST
300 S. - 200 NO.

82 0022

Field Book

50% rag paper
32 pages

4⁵/₈" x 7¹/₄"

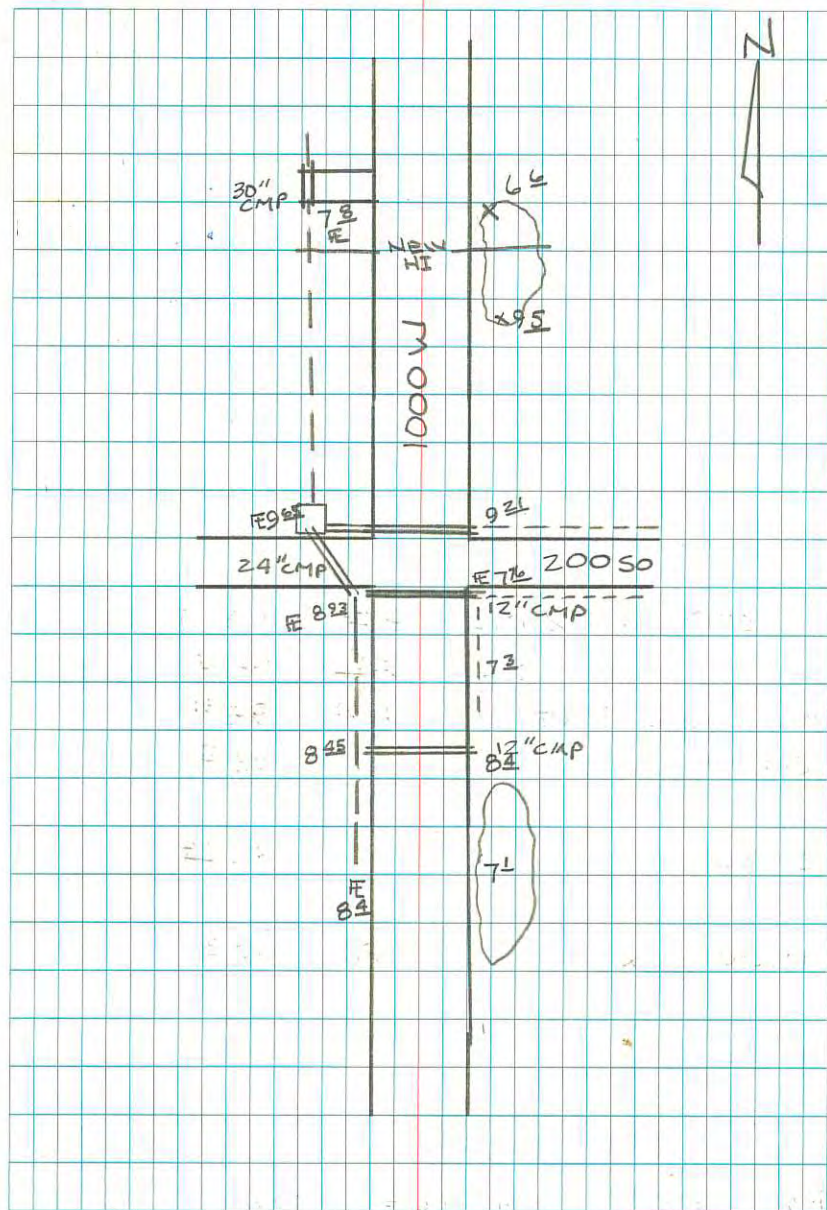
Keuffel & Esser Co., Morristown, N. J. 07960 - Made in U.S.A.

02 OCT. 1985

A P. WARD
P J. BISHOP

STATION +	HI	-	ELEV.
DITCH WEST OF SWAMP	7 ⁸		92 ⁸
NW COR. SWAMP	6 ⁶		94 ⁰
	3 ²⁴	100 ⁵⁸	
TP		6 ³²	96 ⁶⁴
DITCH WEST OF SWAMP	9 ⁵		93 ⁵
SWAMP SW COR E OF 1000W	9 ⁰		94 ⁰
OUTLET 16" CMP 1000W	9 ⁶⁵		93 ³⁸
INLET 16" CMP 1000W	9 ²¹		93 ⁸²
OUTLET 24" CMP 200SO.	9 ⁶⁵		93 ³⁸
INLET 24" CMP 200SO.	8 ²³		94 ¹⁰
OUTLET 12" CMP INTERSECT.	8 ²³		94 ¹⁰
INLET 12" CMP INTERSECT.	7 ⁷⁶		95 ²⁷
GROUND ON E. 1000 W.	7 ³		95 ⁷
12" CMP OUTLET	8 ⁴⁵		94 ⁵⁸
12" CMP INLET	8 ⁴		94 ⁶
DITCH W. OF SWAMP	8 ⁴		94 ⁶
SWAMP E.	7 ¹		95 ²
	3 ⁰³	103 ⁰³	

BM #1 FIRE HYDRANT 200SO. 1000 W.
FLAT FACE No. OF BOLT ASS. ELEV. 100⁰⁰



+

HI

-

	HI	ROD	ELEV	CUT
ZOO S - 1000W PIPE ON ROAD				
0+60 INLET NEW PIPE		945	9291	
0+40			9287	
0+20			9284	
0+00 BOX		955	9281	
E BOX-		955	9281	
236	10236			
B/A - 10050	FH 200 E 1000W			

PIPE GRADE

HI = 10289

60		
INLET	9.94	9.0
40	9.98	10
20	10.01	10
0	10.04	10